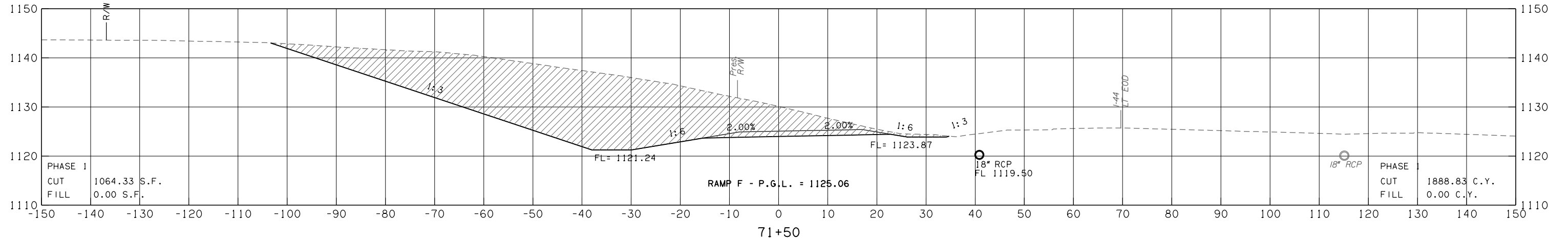
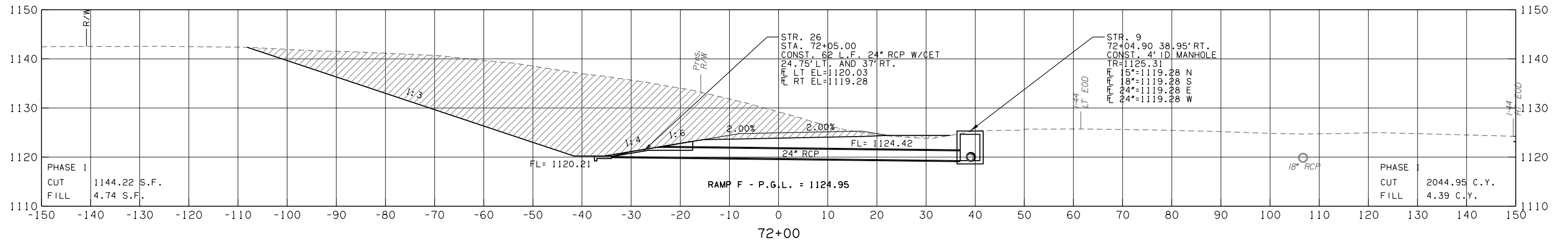
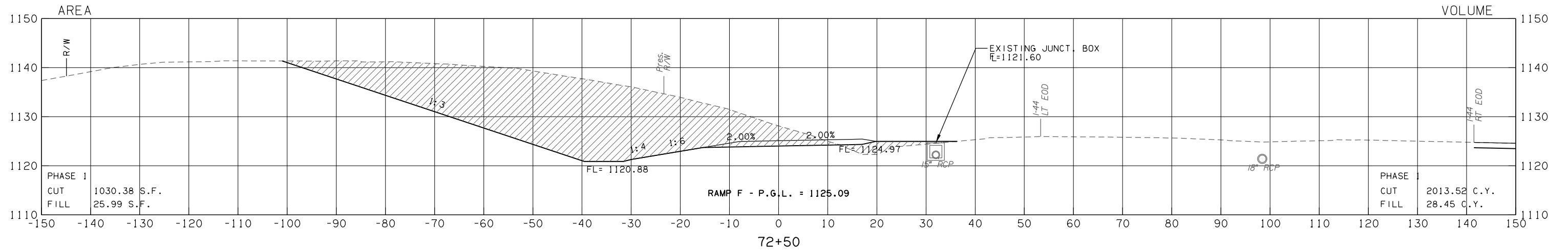


LEGEND	
	EXISTING GROUND
	TEMPORARY WIDENING
	PROPOSED SURFACE
	PHASE 1

FED. ROAD DIST. NO.	STATE	JOB PIECE NO.	FISCAL YEAR	SHEET NO.	TOTAL SHEETS
6	OKLA.	27050(04)	2017		

DESCRIPTION	REVISIONS	DATE



RAMP F

STATE JOB NO. 27050(04) SHEET NO. X63